



**Oil –Gas**

**Steam Turbine**  
**Model**  
**No. 500-0.3**  
**SR.NO. ST500-0.3-6085**

EBARA pumps Europe S.P.A  
SEDE LEGALE  
38023 CLES (TN)- italy -via Campo Sportivo ,30 Telefono +39 0463 660411  
PART. IVA IT 01234660221  
R.E.A.N. 124581 TRENTO

SEDE LEGALE  
38023 CLES (TN)- italy -via Campo Sportivo ,30 Telefono +39 0463 660411  
PART. IVA IT 01234660221  
R.E.A.N. 124581 TRENTO

SEDE OPERATIVA E COMMERCIAIE  
36053 CABELLARA(VI)- Italy -Via Torri di Confine 2/1int. c Telefono  
:+390444706811  
E-mail: ebarapums.epe@ebaracom  
PEC: amministrazione@pec.ebaraeurope.com

Contact to  
Galiano Palatella  
Export Sales Manger  
+393356423310

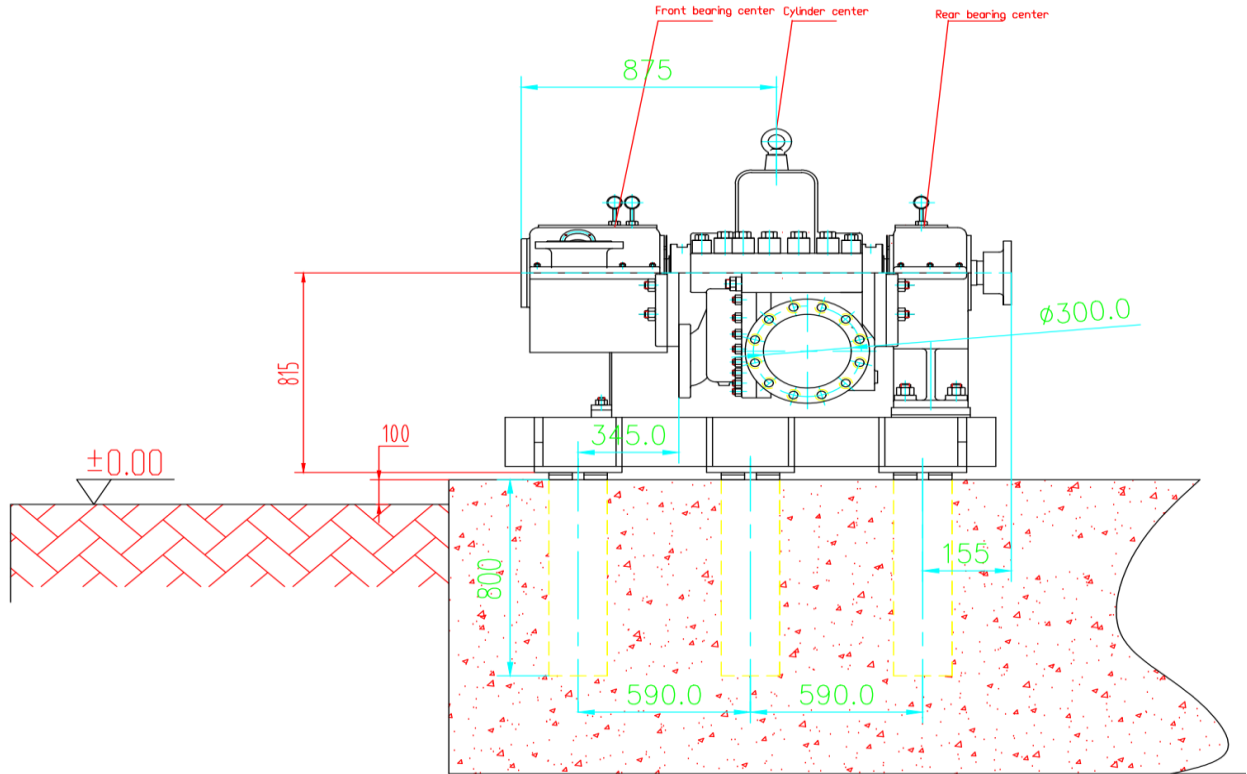


## Oil –Gas

NO.	Contents	CH25 Working paras
1	type	N0.500-0.3
2	engine power	500kW
3	rated speed	3000r/min
4	critical speed	1690r/min
5	intake pressure	0.3MPa
6	intake temperature	300°C
7	input	9.6t/h
8	steam consumption	19.2kg/kw.h
9	exhaust pressure rated load	0.113MPa
10	layout type	single layer
11	rotor structure	1C2
12	Inlet/outlet diameter of main steam valve	150/150×1 mm
13	steam outlet diameter	300 mm
14	weight of engine/rotor	2.4/0.68t
15	max Weight for lifting	3.6 t
16	operation floor standard heigh	0.65 m
17	height from engine center to operation floor	1050 mm
18	jacking gear	manual
19	oil temperation for bearing	≤65 Ć
20	db noise	≤80
21	<b>SR.NO.</b>	ST-500-0.3-6085

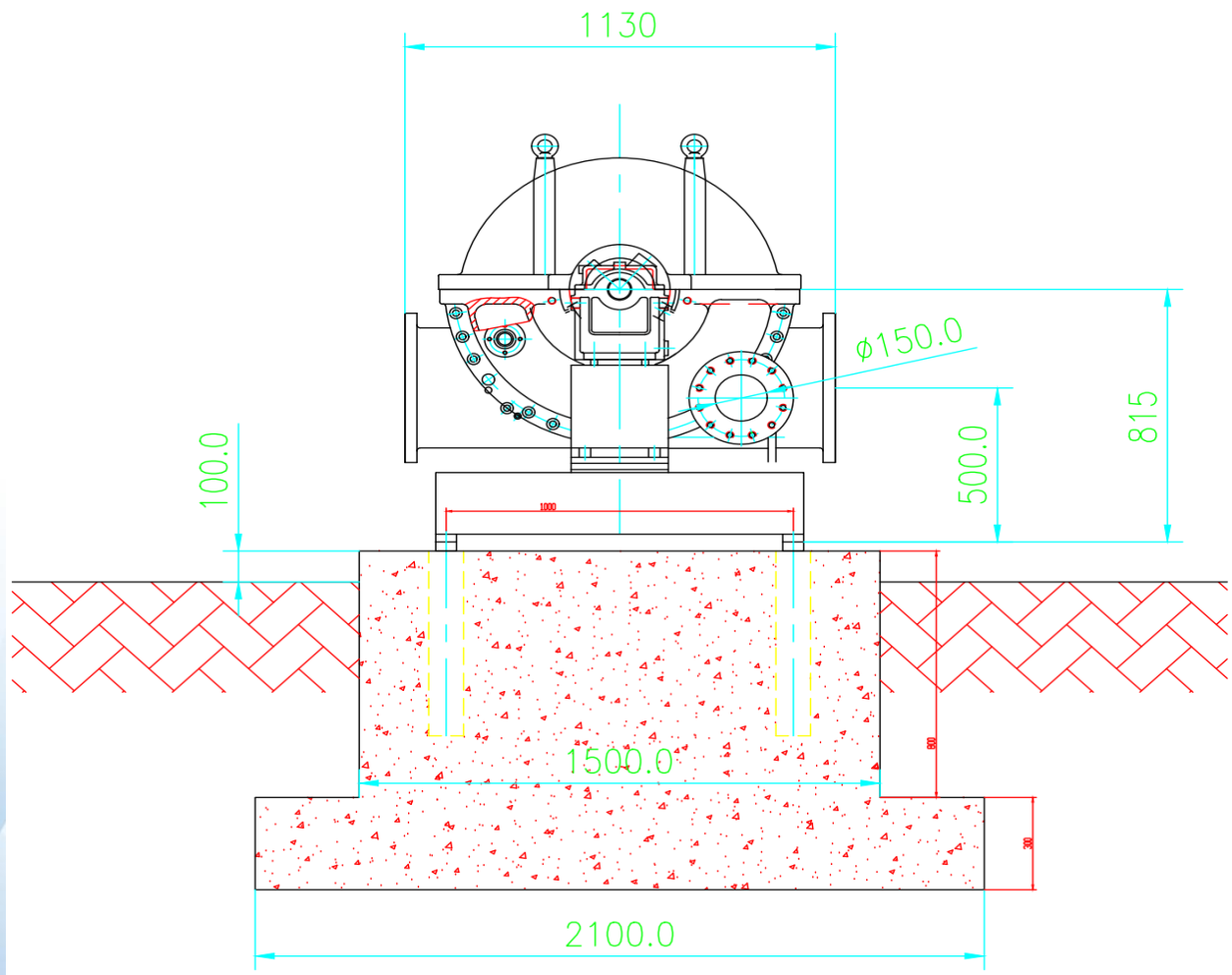


# Oil – Gas



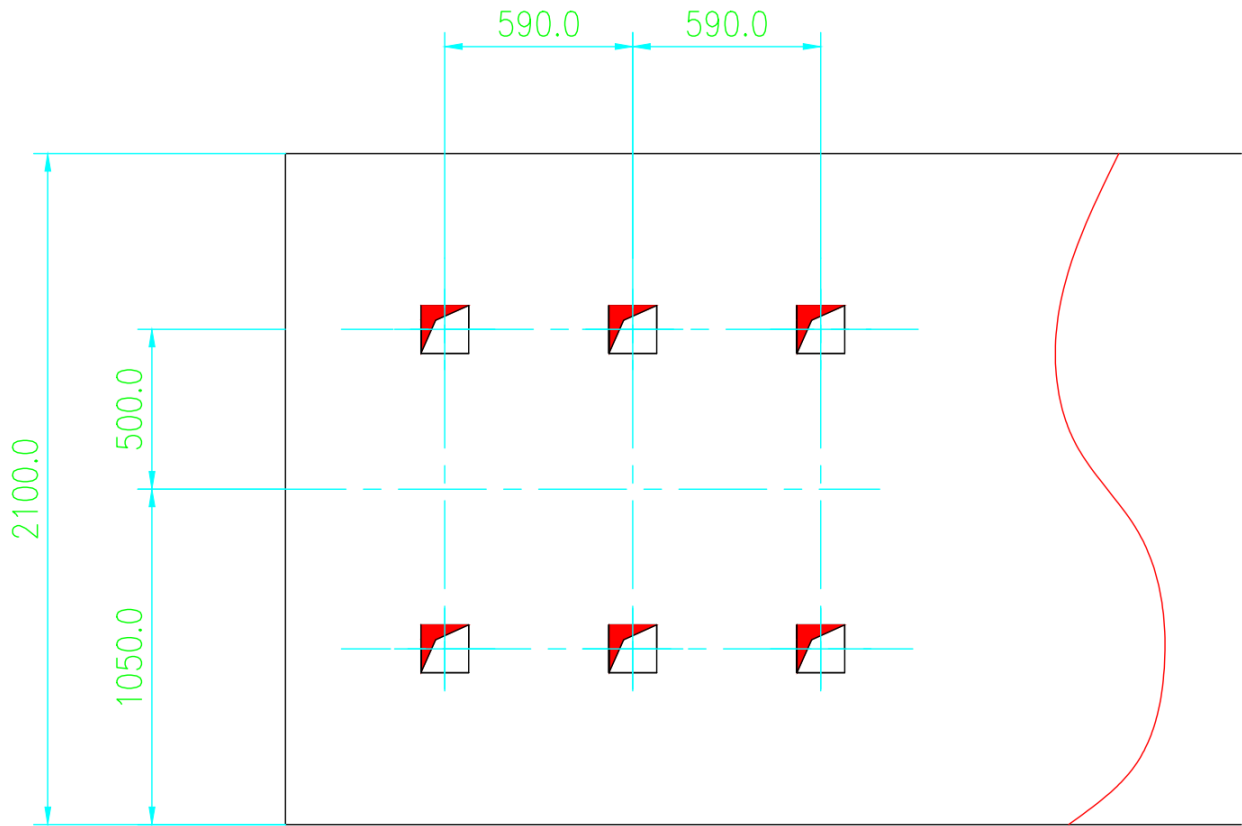


Oil – Gas



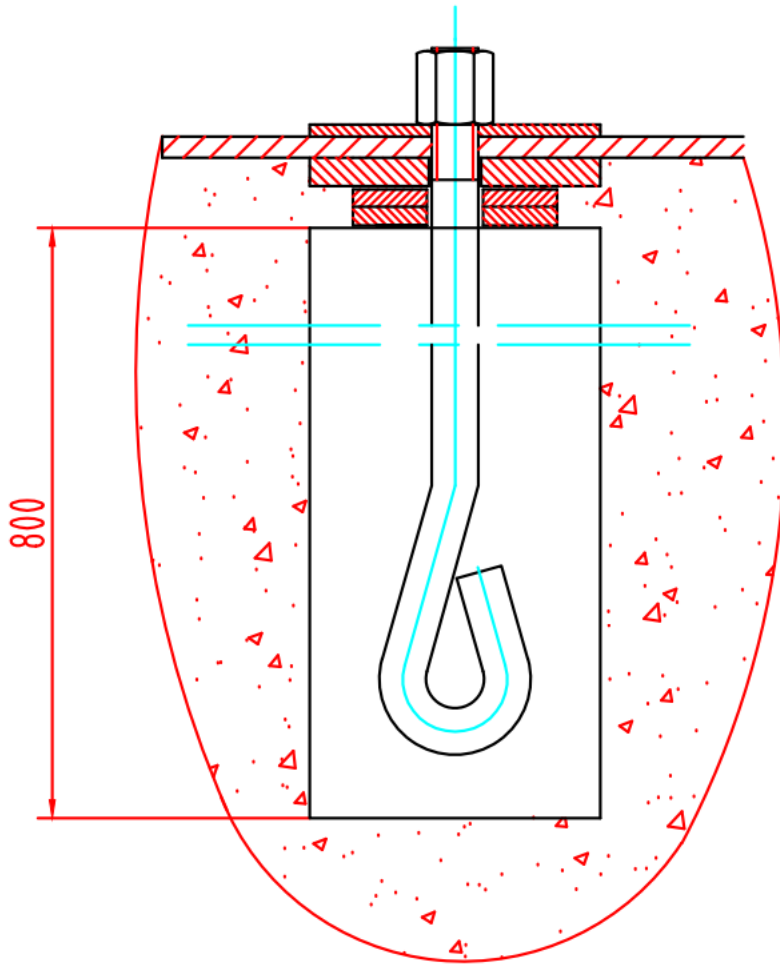


# Oil – Gas





# Oil – Gas





## Oil – Gas

