



**Oil –Gas**

## **Steam Turbine**

### **Model**

**No. 160-0.3**

**SR.NO. ST 160-0.3-6082**

EBARA pumps Europe S.P.A  
SEDE LEGALE  
38023 CLES (TN)- italy -via Campo Sportivo ,30 Telefono +39 0463 660411  
PART. IVA IT 01234660221  
R.E.A.N. 124581 TRENTO

SEDE LEGALE  
38023 CLES (TN)- italy -via Campo Sportivo ,30 Telefono +39 0463 660411  
PART. IVA IT 01234660221  
R.E.A.N. 124581 TRENTO

SEDE OPERATIVA E COMMERCIAIE  
36053 CABELLARA(VI)- Italy -Via Torri di Confine 2/1int. c Telefono  
:+390444706811  
E-mail: ebarapums.epe@ebaracom  
PEC: amministrazione@pec.ebaraeurope.com

Contact to  
Galiano Palatella  
Export Sales Manger  
+393356423310

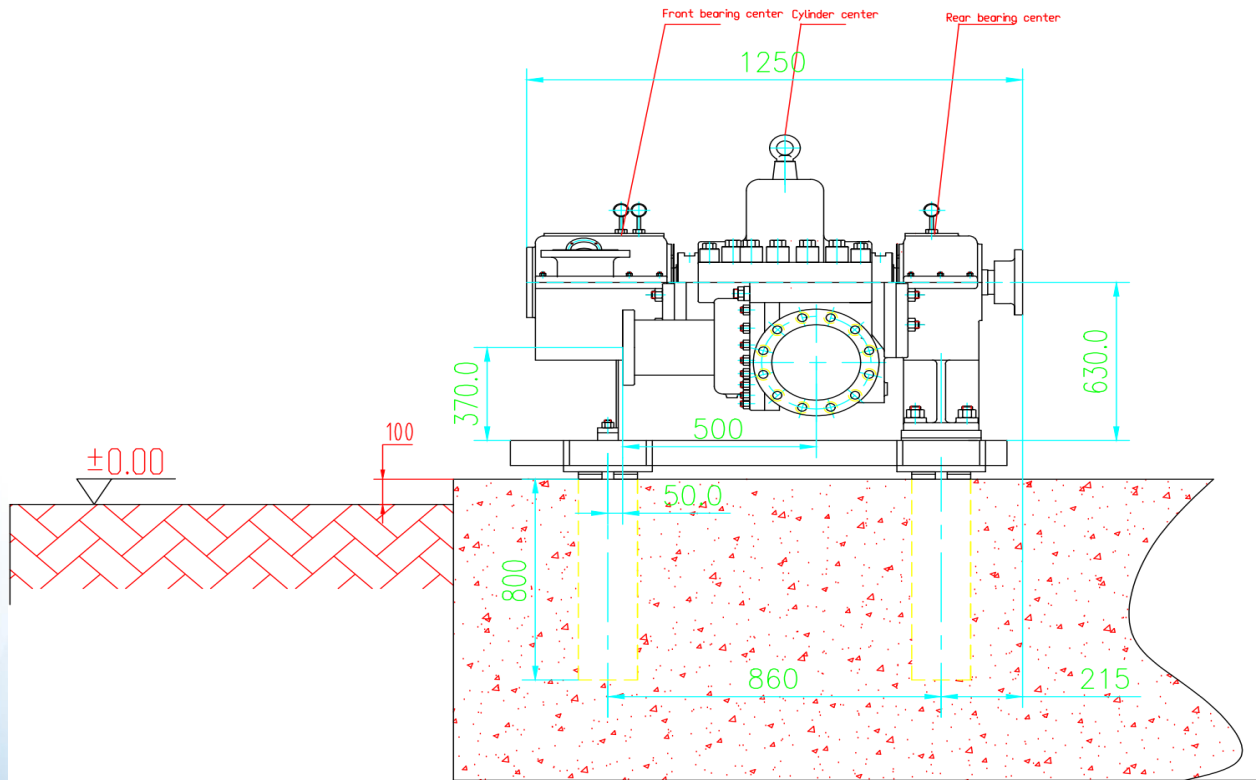


## Oil –Gas

| NO. | Contents                                     | CH25 Working |
|-----|--|--------------|
| 1   | type   | N0.160-0.3   |
| 2   | engine power                                 | 160kW        |
| 3   | rated speed                                  | 3000r/min    |
| 4   | critical speed                               | 1690r/min    |
| 5   | intake pressure                              | 0.3MPa       |
| 6   | intake temperature                           | 300°C        |
| 7   | input  | 3.68t/h      |
| 8   | steam consumption                            | 23.00kg/kw.h |
| 9   | exhaust pressure rated load                  | 0.113MPa     |
| 10  | layout type                                  | single layer |
| 11  | rotor structure                              | 1C2          |
| 12  | Inlet/outlet diameter of main steam valve    | 150/150×1 mm |
| 13  | steam outlet diameter                        | 300 mm       |
| 14  | weight of engine/rotor                       | 2.4/0.68t    |
| 15  | max Weight for lifting                       | 3.6 t        |
| 16  | operation floor standard heigh               | 0.65 m       |
| 17  | height from engine center to operation floor | 1050 mm      |
| 18  | jacking gear                                 | manual       |
| 19  | oil temperation for bearing                  | ≤65 ºC       |
| 20  | db noise                                     | ≤80          |

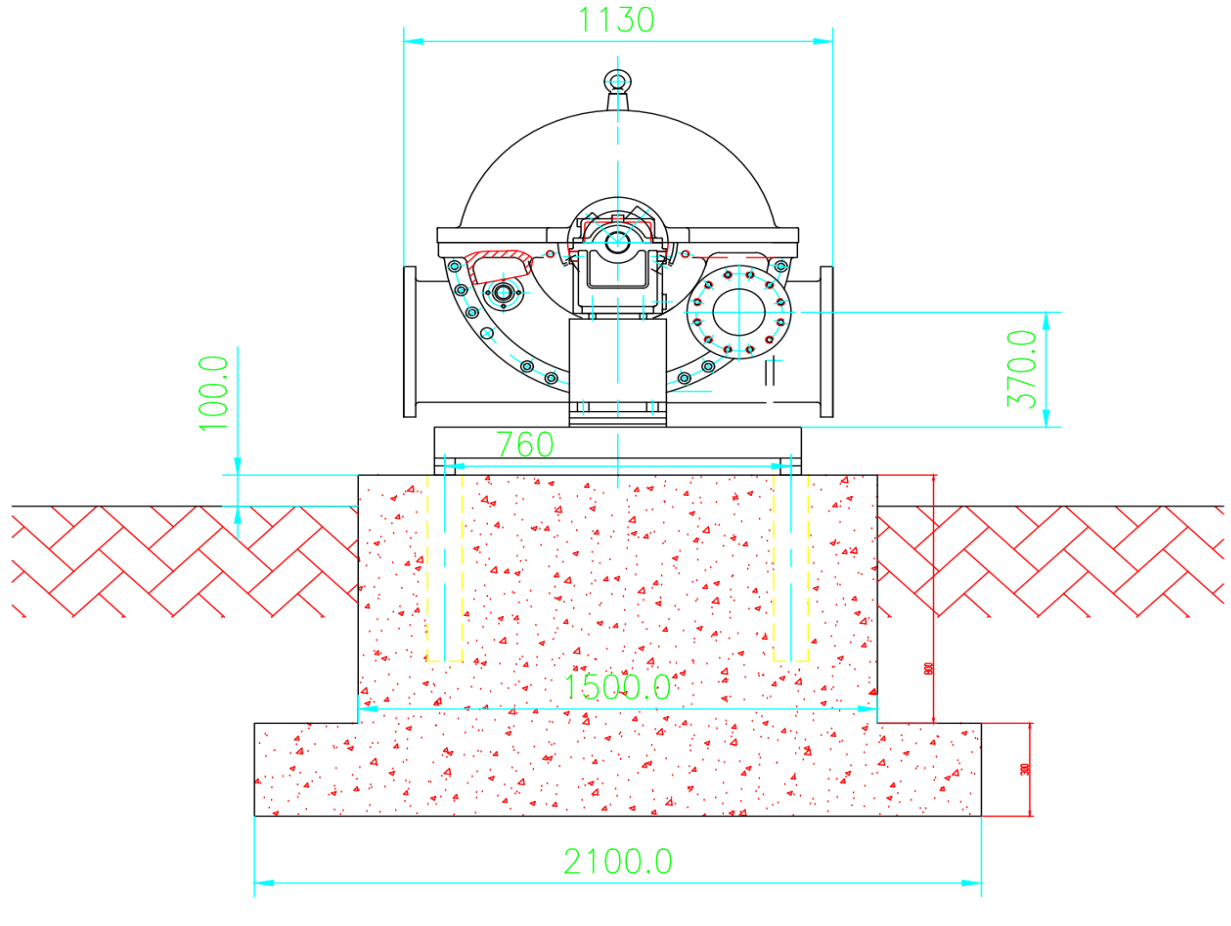


# Oil - Gas



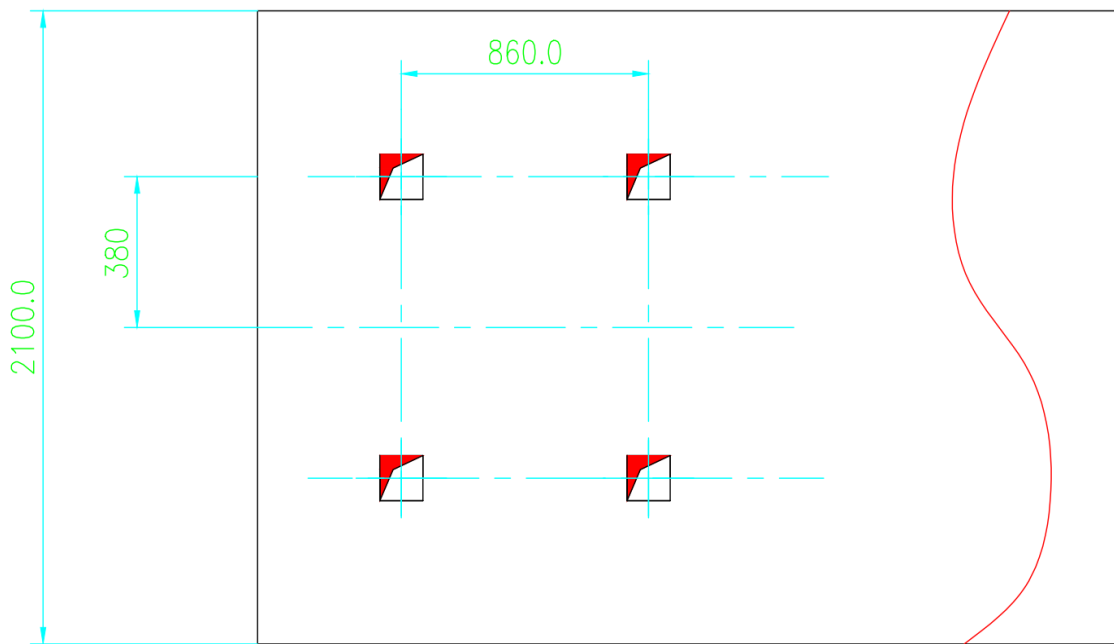


# Oil – Gas



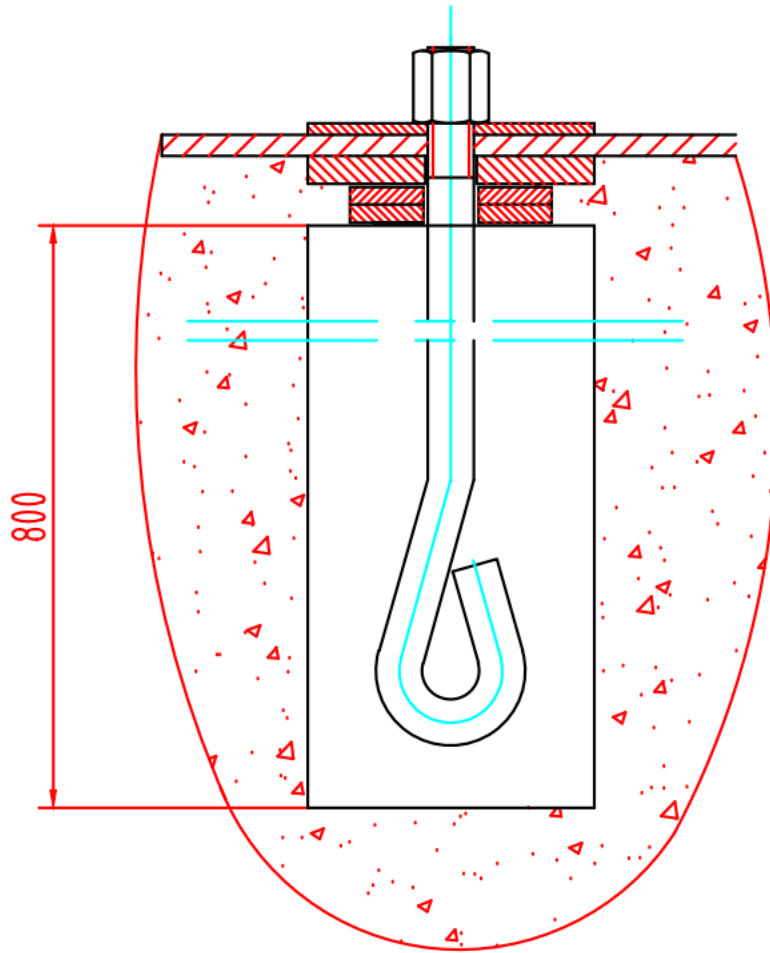


# Oil – Gas





## Oil – Gas





# Oil - Gas

