



Oil –Gas

Steam Turbine

Model

No. 055-0.3

SR.NO. S.T-55-0.3-6081

EBARA pumps Europe S.P.A
SEDE LEGALE
38023 CLES (TN)- italy -via Campo Sportivo ,30 Telefono +39 0463 660411
PART. IVA IT 01234660221
R.E.A.N. 124581 TRENTO

SEDE LEGALE
38023 CLES (TN)- italy -via Campo Sportivo ,30 Telefono +39 0463 660411
PART. IVA IT 01234660221
R.E.A.N. 124581 TRENTO

SEDE OPERATIVA E COMMERCIAIE
36053 CABELLARA(VI)- Italy -Via Torri di Confine 2/1int. c Telefono
:+390444706811
E-mail: ebarapums.epe@ebaracom
PEC: amministrazione@pec.ebaraeurope.com

Contact to
Galiano Palatella
Export Sales Manger
+393356423310

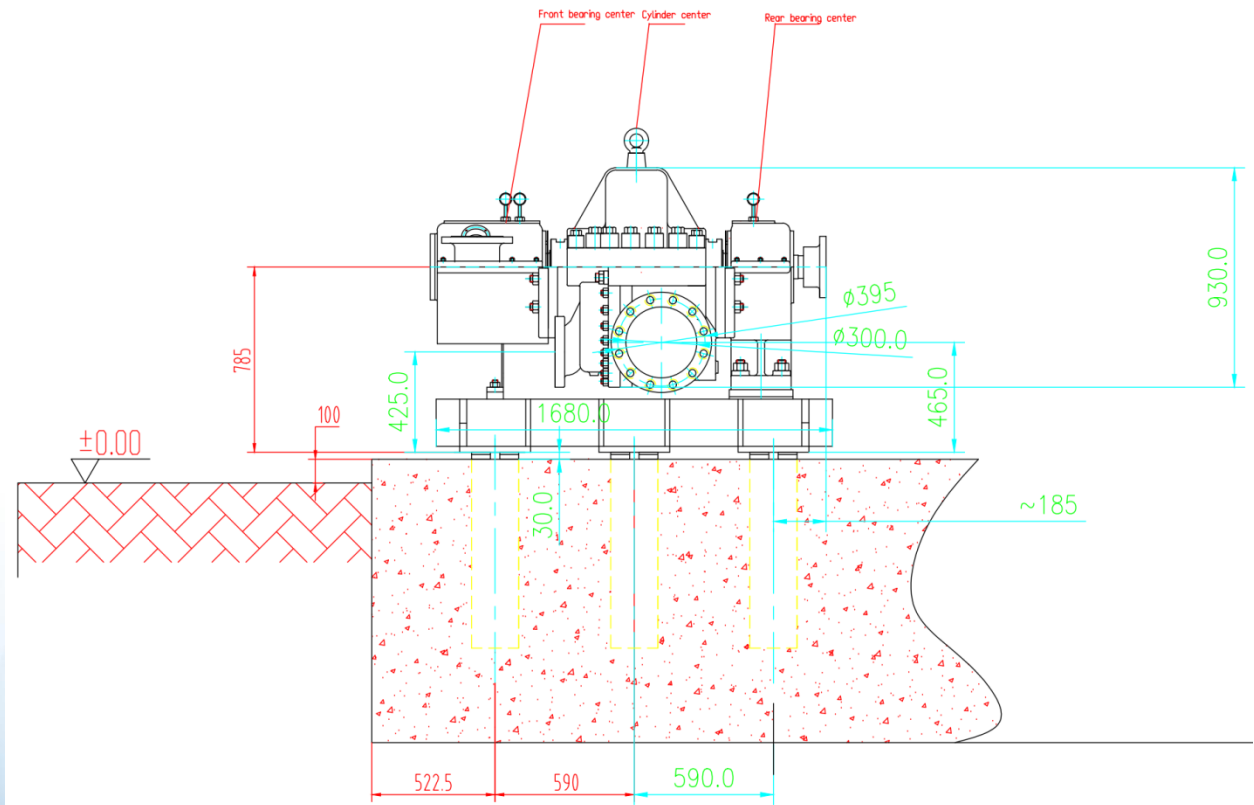


Oil –Gas

NO.	Contents	CH25 Working
1	type	N0.055-0.3
2	engine power	55kW
3	rated speed	3000r/min
4	critical speed	1690r/min
5	intake pressure	0.3MPa
6	intake temperature	300°C
7	input	1.6t/h
8	steam consumption	29.09kg/kw.h
9	exhaust pressure rated load	0.113MPa
10	layout type	single layer
11	rotor structure	1C2
12	Inlet/outlet diameter of main steam valve	150/150×1 mm
13	steam outlet diameter	300 mm
14	weight of engine/rotor	2.4/0.68t
15	max Weight for lifting	3.6 t
16	operation floor standard height	0.65 m
17	height from engine center to operation floor	1050 mm
18	jacking gear	manual
19	oil tempera ion for bearing	≤65 Ć
20	db noise	≤80

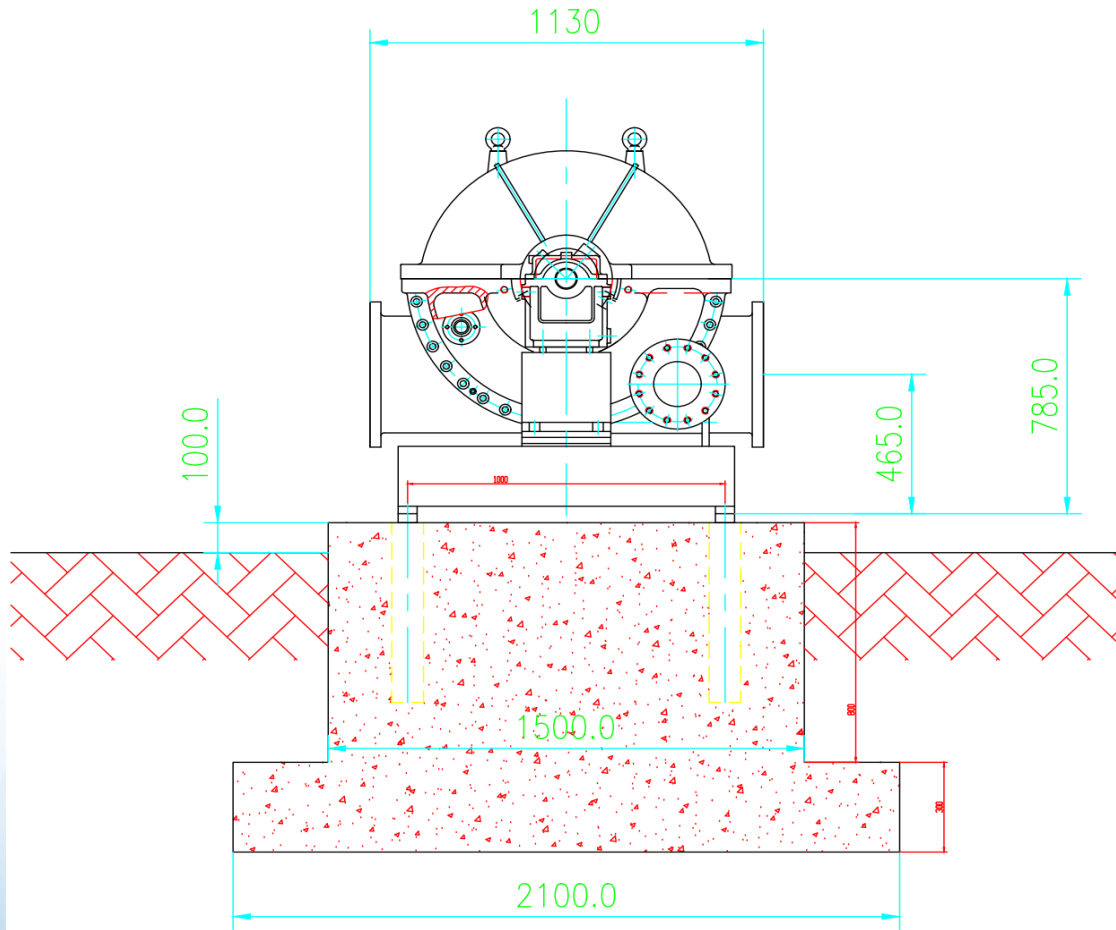


Oil – Gas



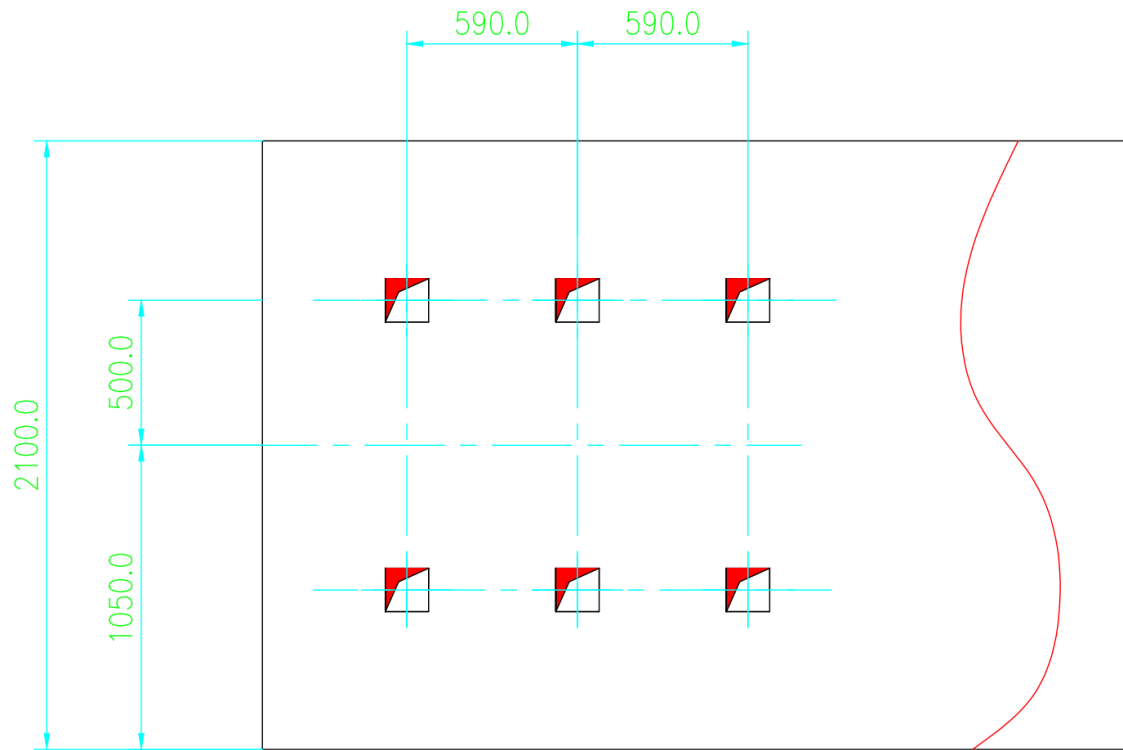


Oil – Gas



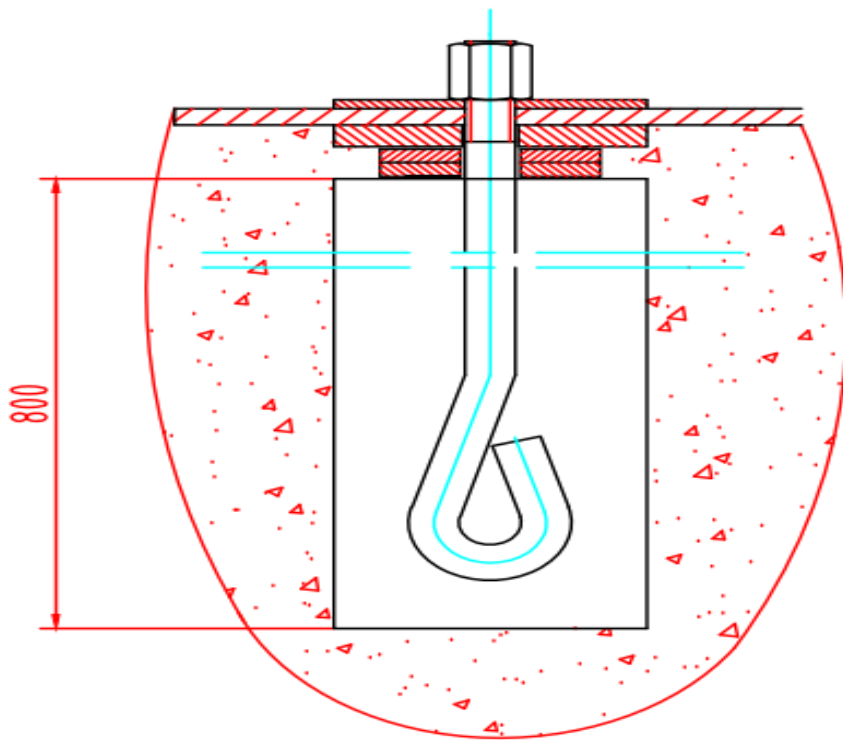


Oil – Gas





Oil – Gas





Oil – Gas

