



Oil -Gas

OH2
Chemical process pump
Model
FS-ZE50-4450
((4-P07 AB))
SR.NO. FS-ZE 19811022

EBARA pumps Europe S.P.A
SEDE LEGALE
38023 CLES (TN)- italy -via Campo Sportivo ,30 Telefono +39 0463 660411
PART. IVA IT 01234660221
R.E.A.N. 124581 TRENTO

SEDE LEGALE
38023 CLES (TN)- italy -via Campo Sportivo ,30 Telefono +39 0463 660411
PART. IVA IT 01234660221
R.E.A.N. 124581 TRENTO

SEDE OPERATIVA E COMMERCIAIE
36053 CABELLARA(VI)- Italy -Via Torri di Confine 2/1int. c Telefono
:+390444706811
E-mail: ebarapums.epe@ebaracom
PEC: amministrazione@pec.ebaraeurope.com

Contact to
Galiano Palatella
Export Sales Manger
+393356423310




Oil- Gas

4-P07 A/B

Requested flow rate	68.84 m ³ /h
Requested developed head	247.29 m
Pumped medium	light gas oil
Temperature	250.54 ° C
Fluid density	644.92 kg/m ³
Fluid viscosity (cP)	0.25
Vapour pressure	2.66 kg/cm ² a
Suction pressure max.	1.63 kg/cm ² g
Efficiency	45.00%
Power Absorbed	90
Pump speed of rotation	2900rpm
NPSH required	4m
Discharge press.	6.14 kg/cm ² . g
Stuffing box press.	VTA
Shutoff head	284m
Shutoff pressure	18kg/cm ²
Differential pressure	4.52 kg/cm ²
NPSH available	3.69 m
Ratio Q/Q _{bep}	93.00%
Max. power on curve	88KW
low for continuous stab	VTA
Suction Flange Size & Rating	DN100 5MPa
Discharge Flange Size & Rating	DN50 5MPa
Shaft seal	As Per API 682
Shaft seal manufacture	EBARA
Sealing plan	API plan 23+61 (VTC)
Bearing bracket size	No. 4 bearing box
Coupling Manufacturer	EBARA
Coupling type	Diaphragm coupling
Spacer length	180mm
Driver type	Electric Motor
Drive standard mech.	3-phase Electric Motor
Motor const. type	IBM-280M-2-90
Motor speed	2985
Frequency	50 Hz
Rated voltage	380
Rated power P2	90KW
Type of protection	EEx de IIB T3
Motor enclosure	IP55
Volute casing (102)	Cast Steel
Casing cover (161)	Cast Steel
Shaft (210)	2Cr13
Impeller (230)	Cast Steel

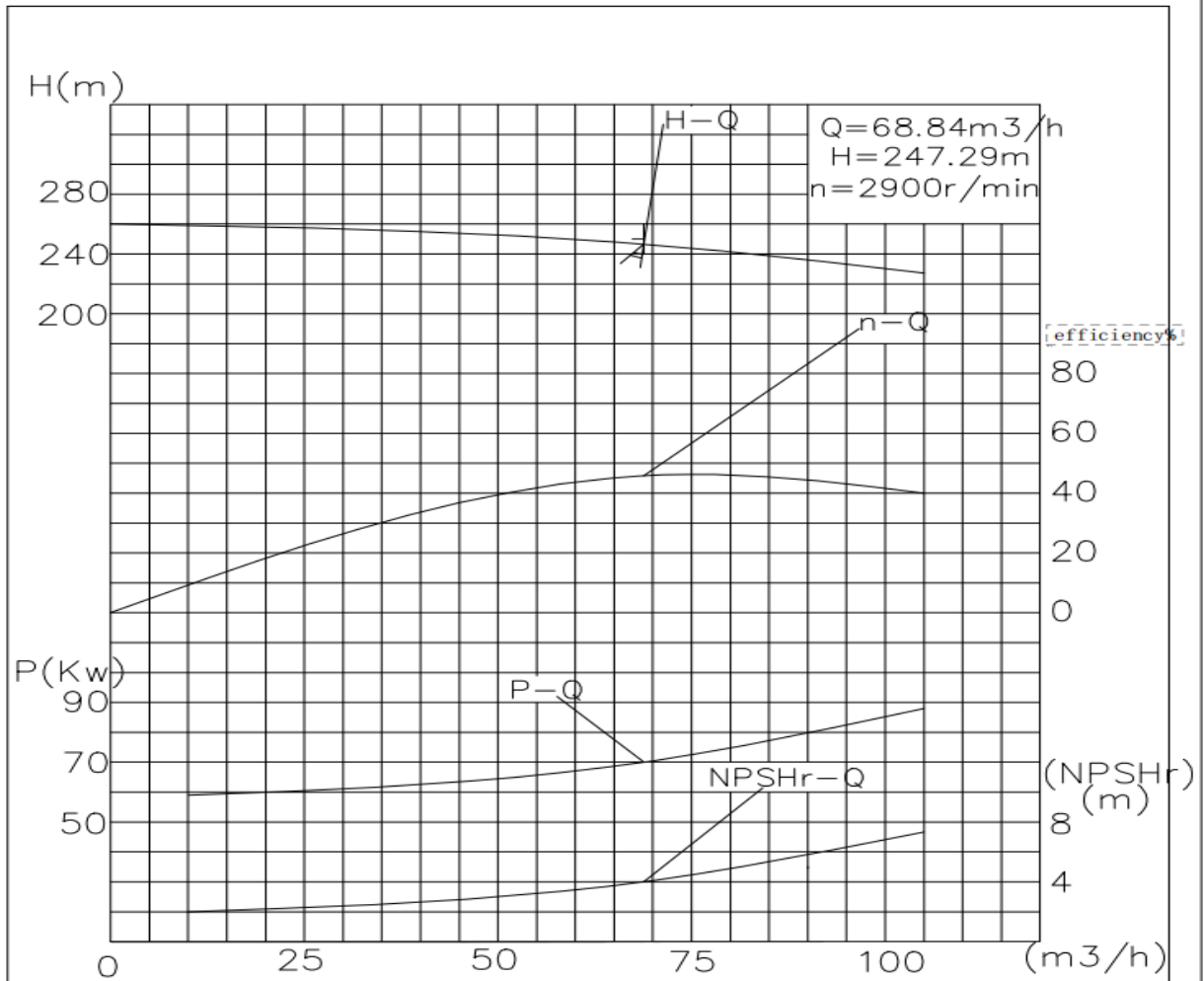
EBARA pumps Europe S.P.A

	User Name :		
	Device Name :		
	4-P07 A/B	Quantity : 1	
	Equipment Name: Chemical Process Pumps	Pump Manufacturer : Ebara oil-Gas	
Pump Model: FSZE50-4450			
Working Conditions		Material(s)	
Flow rate: 68.84	m3/h	Pump body: Cast steel	Impeller: Cast steel
Inlet gauge pressure: (rated/maximum)	MPa.G	Shaft: 2Cr13	
Outlet gauge pressure:	MPa.G	Mechanical seal flushing plan: PLAN23+61	
Lift(H, m) 247.29 m	(NPSH) a : 3.69 m	Bearing: SKF	Brand: SKF
Usage : <input checked="" type="checkbox"/> Continuous <input type="checkbox"/> intermittent (Number of starts/per day)		Coupling: 180	
Medium			
Name: light gas oil			
Working temperature: 250.54°C			
Medium density: 644.921kg/m3			
Viscosity (CP): 0.25			
H2S (Hydrogen Sulfide) Concentration (PPM)		Medium Characteristics: <input type="checkbox"/> Corrosive <input type="checkbox"/> Abrasive <input type="checkbox"/> Toxic	
Pump performance and structure			
Pump speed of rotation: 2985rpm	Efficiency: 45 %	Shaft power: 70kW	
Impeller diameter (rated): 400mm		Impeller diameter (maximum): 450 mm	
Impeller diameter (minimum): 380 mm			
MCSF: 34m3/h		NPSH: 4m	
Maximum head at rated diameter: 258 m			
From rated head to shutoff head: 95%		Head ratio (rated/maximum): 96%	
Flow rate (Best Efficiency Point, BEP): 75m3/h		Flow ratio (rated/BEP): 92 %	
Installation form: <input type="checkbox"/> Vertical <input checked="" type="checkbox"/> Horizontal			
Impeller form: <input checked="" type="checkbox"/> Closed <input type="checkbox"/> Open <input checked="" type="checkbox"/> Semi-open			
Pump Casing Split: Axial <input checked="" type="checkbox"/> Radial			

Pump casing type: <input checked="" type="checkbox"/> Single volute <input type="checkbox"/> Double volute <input type="checkbox"/> Guide casing (guide vane)							
Flange standard: GB9111.1-2000	caliber mm	Flange pressure rating	Sealing Face Type	Orientation position	Electric Motor		
					Model: <input checked="" type="checkbox"/>	IBM-280M-2-90	
Suction port	100	5MPa	RF	Horizontal	Explosion-Proof High-Voltage Motor		
Discharge port	50	5MPa	RF	Vertical	Rated power: 90kW	Maximum power:	
Drain port	/	/	/	/	Number of Poles: 2	Speed2985 rpm	Frequency: 50 Hz
Pump casing design pressure: 5 MPa		Pump Casing Hydrostatic Test: 7.5 MPa		Voltage: 380 V	Number of phases : 3 PH	Frequency: 50 Hz	
Maximum working pressure: 2.6MP		Maximum permissible suction pressure:2.4MPa Maximum permissible working pressure: 5MPa		Protection Rating: IP55	Explosion proof grade: BT4	Insulation grade: F	
Bearing type: <input type="checkbox"/> Sliding bearing <input checked="" type="checkbox"/> Radial rolling				Incoming line of junction box:	Method:	Number:	
Bearing Lubrication: <input checked="" type="checkbox"/> Oil Bath/Grease <input checked="" type="checkbox"/> Oil Slinger							



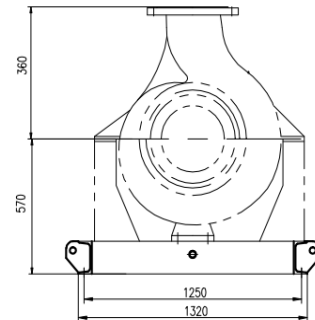
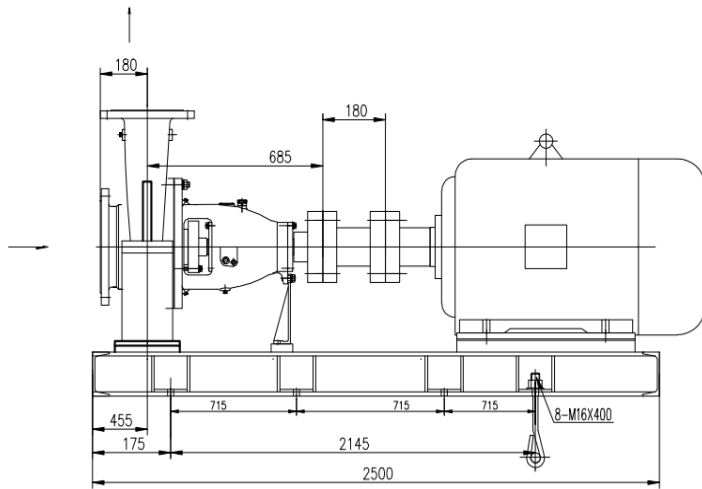
Oil - Gas



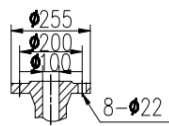
4-P07 A/B	(OH2) Chemical Process Pump	FSZE50-4450	68.84	247.29	2	API610 standard production, mechanical seal meets API682 standard, material: cast steel, cartridge mechanical seal, mechanical seal flushing plan PLAN 23+61 () SKF bearings, supply scope pump head + base + diaphragm coupling.
	Explosion -proof motor	IBM-280M-2-90	90KW	2985r/min	2	"Drive standard machine: three-phase motor Motor model: IBM-280M-2-90 Motor speed: 2985 Frequency: 50 Hz Rated voltage: 380V Rated power: 90KW Protection level: Ex de IIB T3 Motor protection level: IP55 "



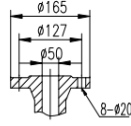
Oil -Gas



Imported flange
5MPa



Outlet flange
5MPa



4-P07 A/B	(OH2) Chemical Process Pump	FSZE50-4450	68.84	247.29	2	API610 standard production, mechanical seal meets API682 standard, material: cast steel, cartridge mechanical seal, mechanical seal flushing plan PLAN 23+61 () SKF bearings, supply scope pump head + base + diaphragm coupling.
	Explosion -proof motor	IBM-280M-2-90	90KW	2985r/min	2	Drive standard machine: three-phase motor Motor model: IBM-280M-2-90 Motor speed: 2985 Frequency: 50 Hz Rated voltage: 380V Rated power: 90KW Protection level: Ex de IIB T3 Motor protection level: IP55