



**Oil -Gas**

**OH2**

**Chemical process pump**

**Model**

**FS-ZE50-4450**

**4-P04A**

**SR. NO.FS-ZE19811006**

EBARA pumps Europe S.P.A  
SEDE LEGALE  
38023 CLES (TN)- italy -via Campo Sportivo ,30 Telefono +39 0463 660411  
PART. IVA IT 01234660221  
R.E.A.N. 124581 TRENTO

SEDE LEGALE  
38023 CLES (TN)- italy -via Campo Sportivo ,30 Telefono +39 0463 660411 PART. IVA IT  
01234660221  
R.E.A.N. 124581 TRENTO

SEDE OPERATIVA E COMMERCIAIE  
36053 CABBELLARA(VI)- Italy -Via Torri di Confine 2/1int. c Telefono  
:+390444706811  
E-mail: ebarapums.epe@ebaracom  
PEC: amministrazione@pec.ebaraeurope.com

Contact to  
Galiano Palatella  
Export Sales Manger  
+393356423310



**Oil -Gas**

User Name :	
Device Name :	
4-P04A	Quantity : 2
Equipment Name: Chemical Process Pumps	Pump Manufacturer : Ebara oil-Gas
Pump Model:FS-ZE50-4450	

Working Conditions		Material(s)	
Flow rate: 300.68	m3/h	Pump body: Cast steel	Impeller: Cast steel
Inlet gauge pressure: (rated/maximum)	MPa. G	Shaft: 2Cr13	
Outlet gauge pressure:	MPa. G	Mechanical seal flushing plan: PLAN22+61	
Lift(H,m) 144.47 m	(NPSH) a : 29.9 m	Bearing: SKF	Brand: SKF
Usage : <input checked="" type="checkbox"/> Continuous <input type="checkbox"/> intermittent (Number of starts/per day)		Coupling: 250	

Medium

Name: total naphtha	
Working temperature:175°C	
Medium density:606.771kg/m3	
Viscosity (CP): 0.34	
H2S (Hydrogen Sulfide) Concentration (PPM)	Medium Characteristics: <input type="checkbox"/> Corrosive <input type="checkbox"/> Abrasive <input type="checkbox"/> Toxic

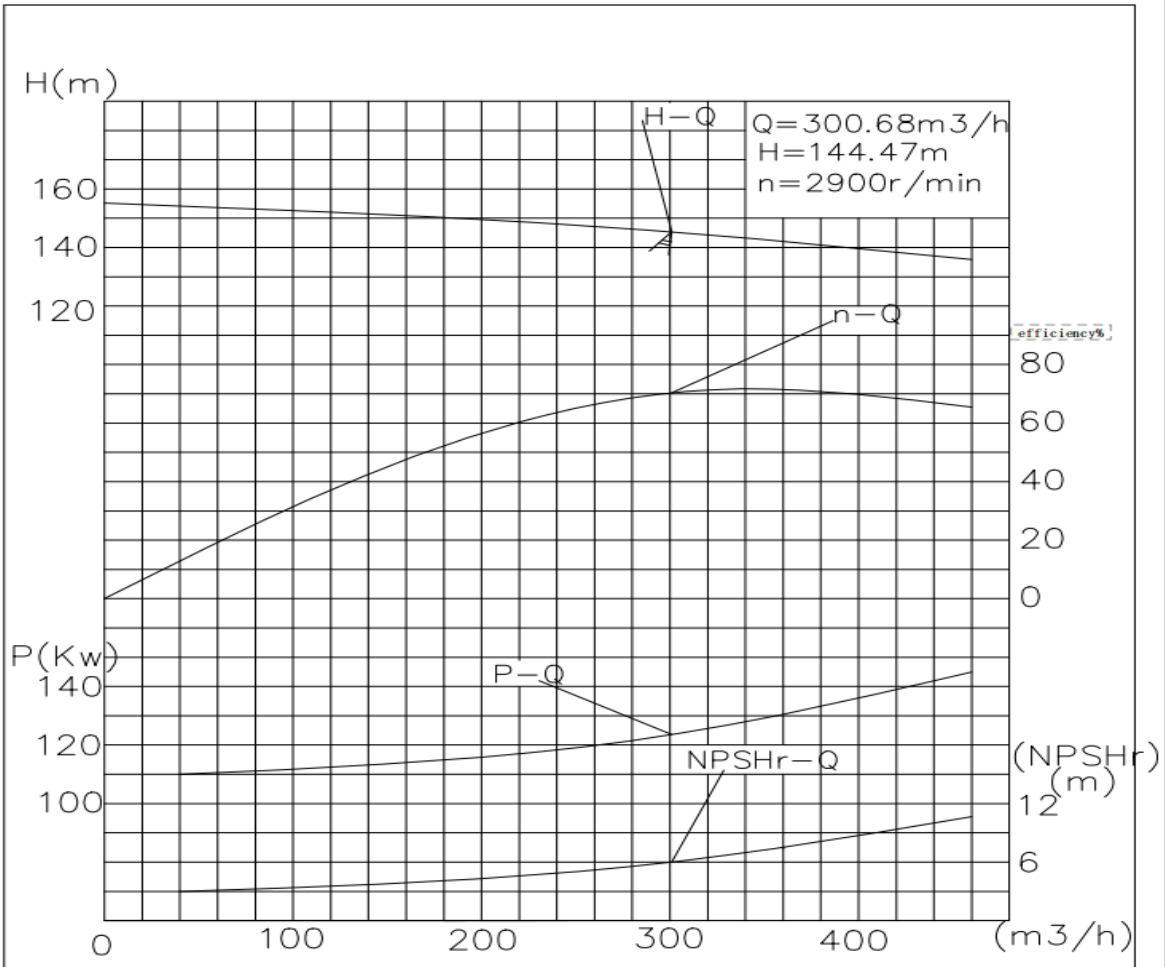
Pump performance and structure

Pump speed of rotation:2985rpm	Efficiency: 70 %	Shaft power: 124kW
Impeller diameter (rated): 350mm	Impeller diameter (maximum): 400 mm	
Impeller diameter (minimum): 310 mm		
MCSF:150m3/h	NPSH: 6m	
Maximum head at rated diameter: 150m		
From rated head to shutoff head: 91%	Head ratio (rated/maximum): 93%	

Flow rate (Best Efficiency Point, BEP): 340m <sup>3</sup> /h					Flow ratio (rated/BEP): 89 %		
Installation form: <input type="checkbox"/> Vertical <input checked="" type="checkbox"/> Horizontal							
Impeller form: <input checked="" type="checkbox"/> Closed <input type="checkbox"/> Open <input type="checkbox"/> Semi-open							
Pump Casing Split: Axial <input checked="" type="checkbox"/> Radial							
Pump casing type: <input checked="" type="checkbox"/> Single volute <input type="checkbox"/> Double volute <input type="checkbox"/> Guide casing (guide vane)							
Flange standard: GB9111.1-2000	cali ber mm	Flange pressure rating	Sealing Face Type	Orientat ion position	Electric Motor		
					Model: <input checked="" type="checkbox"/>	IBM-355-2-175	
Suction port	150	5MPa	PF	Horizont al	Explosion-Proof High-Voltage Motor		
Discharge port	150	5MPa	PF	Vertical	Rated power: 160kW	Maximum power:	
Drain port	/	/	/	/	Number of Poles: 2	Speed2985 rpm	Frequency: 50 Hz
Pump casing design pressure: 5 MPa		Pump Casing Hydrostatic Test: 7.5 MPa		Voltage: 3300 V		Number of phases : 3 PH	Frequency: 50 Hz
Maximum working pressure: 1.6MP		Maximum permissible suction pressure:2.5MPa Maximum permissible working pressure: 5MPa		Protection Rating: IP55		Explosion proof grade: BT4	Insulation grade: F
Bearing type: <input type="checkbox"/> Sliding bearing <input checked="" type="checkbox"/> Radial rolling				Incoming line of junction box:		Method:	Number:
Bearing Lubrication: <input checked="" type="checkbox"/> Oil Bath/Grease <input checked="" type="checkbox"/> Oil Slinger							



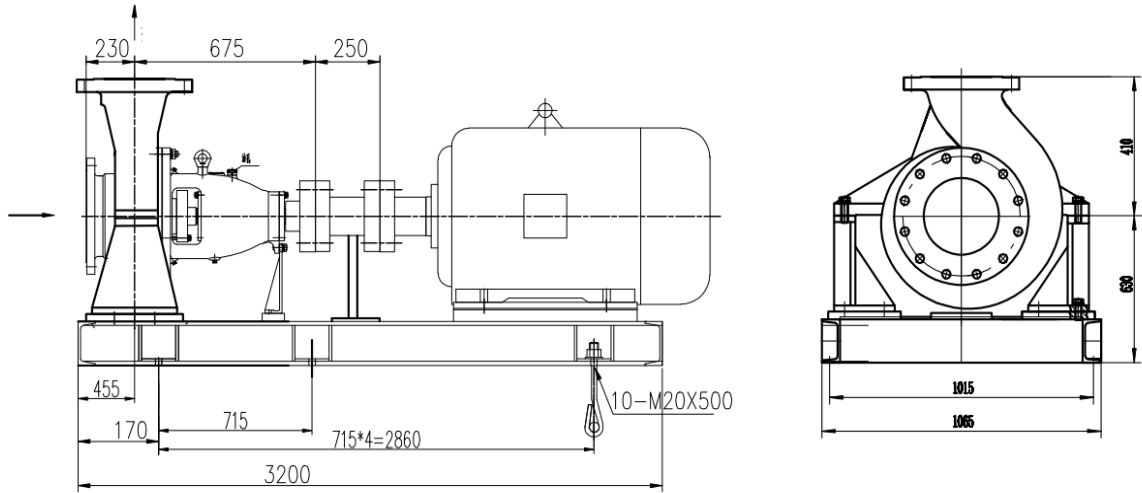
# Oil - Gas



4-P04 A	(OH2) Chemical Process Pump	FS-ZE150-4400	300.68	144.47	2	API610 standard production, mechanical seal meets API682 standard, material: cast steel, cartridge mechanical seal, mechanical seal flushing plan PLAN 23+61 ( ) SKF bearings, supply scope pump head + base + diaphragm coupling.
	Explosion -proof motor	IBM-355-2-175	175KW	2985r/min	2	Drive standard machine: three-phase motor Motor model: IBM-355-2-175 Motor speed: 2985 Frequency: 50 Hz Rated voltage: 3300V Rated power: 160KW Protection level: Ex de IIB T4 Motor protection level: IP55

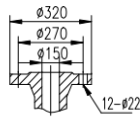


# Oil -Gas



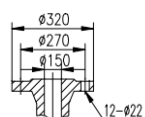
Imported flange

PN 5Mpa



Outlet flange

PN 5Mpa



4-P04 A	(OH2) Chemical Process Pump	FS-2E150-4400	300.68	144.47	2	API610 standard production, mechanical seal meets API682 standard, material: cast steel, cartridge mechanical seal, mechanical seal flushing plan PLAN 23-61 ( ) SKF bearings, supply scope pump head + base + diaphragm coupling,
	Explosion -proof motor	IBM-355-2-175	175KW	2985r/min	2	Drive standard machine: three-phase motor Motor model: IBM-355-2-175 Motor speed: 2985 Frequency: 50 Hz Rated voltage: 3300V Rated power: 160KW Protection level: Ex de IIB T4 Motor protection level: IP55